



ARMAOR SOFTWARE

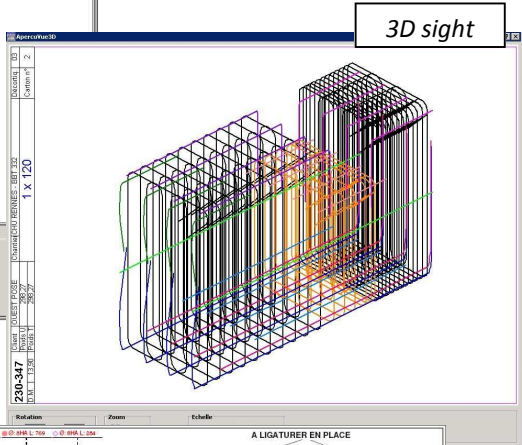
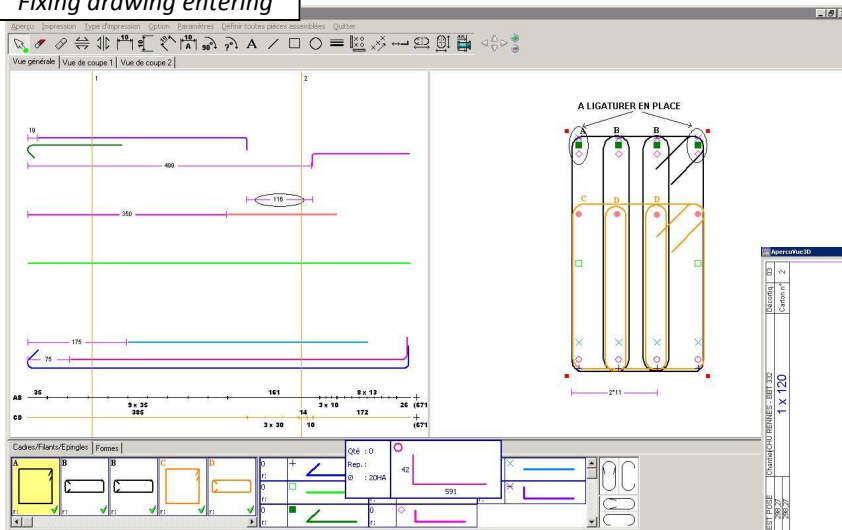


3D FIXING DRAWING

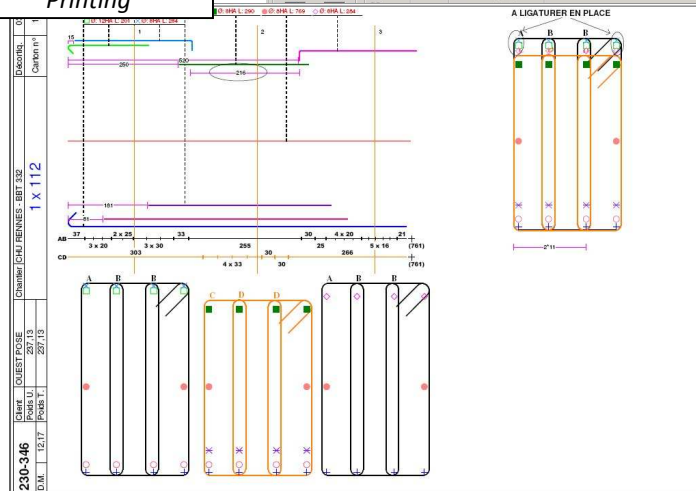
A 3D fixing drawing which integrates :

- Bars elevation, distribution , cutting sight display, ...
- A tools range: Symmetry, rotation, cutting tracing...
- A 3D sight.
- Entering automation.

Fixing drawing entering



Printing



ARIADIS

Le Magellan
470 avenue Augustin Fresnel
13857 Aix-en-Provence Cedex 3
France

Phone : +33 442 90 40 70

Fax : +33 442 90 40 71

Email : commercial@ariadis.fr

Web site : www.ariadis.fr